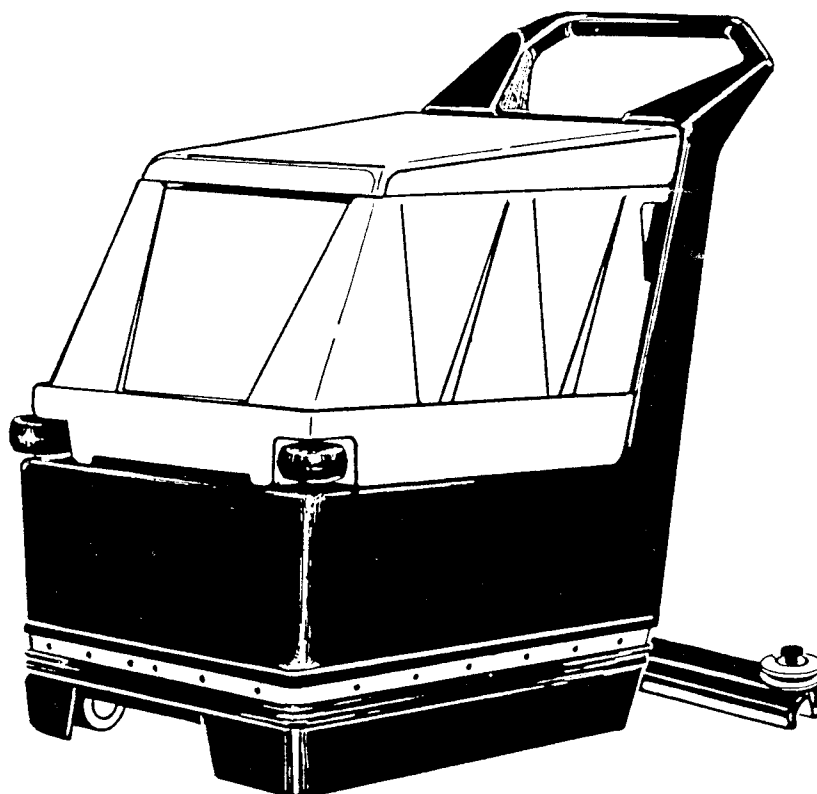


**200 Floor  
Scrubber  
Battery  
Traction Drive**

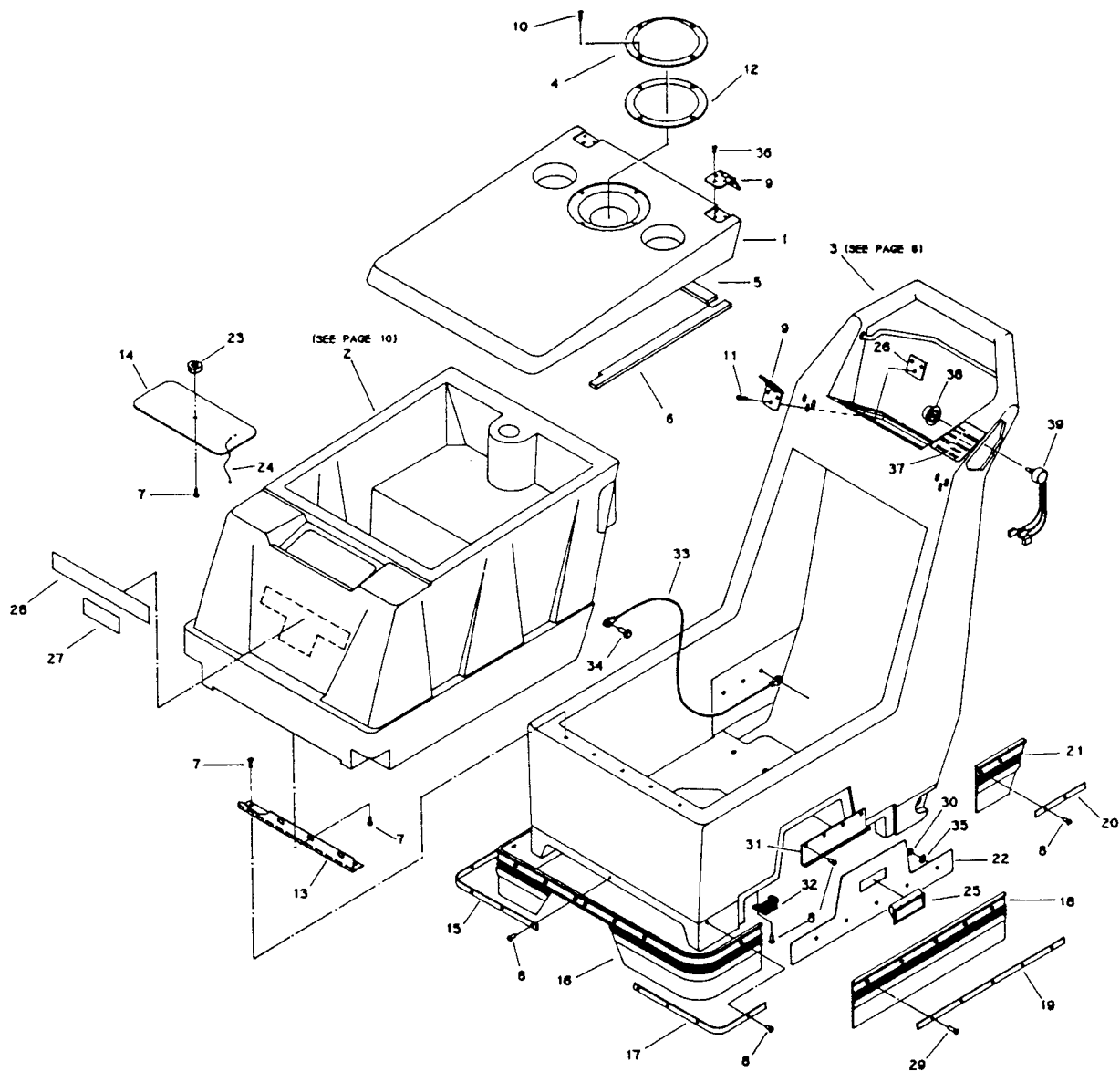
**Model No: MC20025**

■ OPERATION ■ SERVICE ■ PARTS ■ CARE



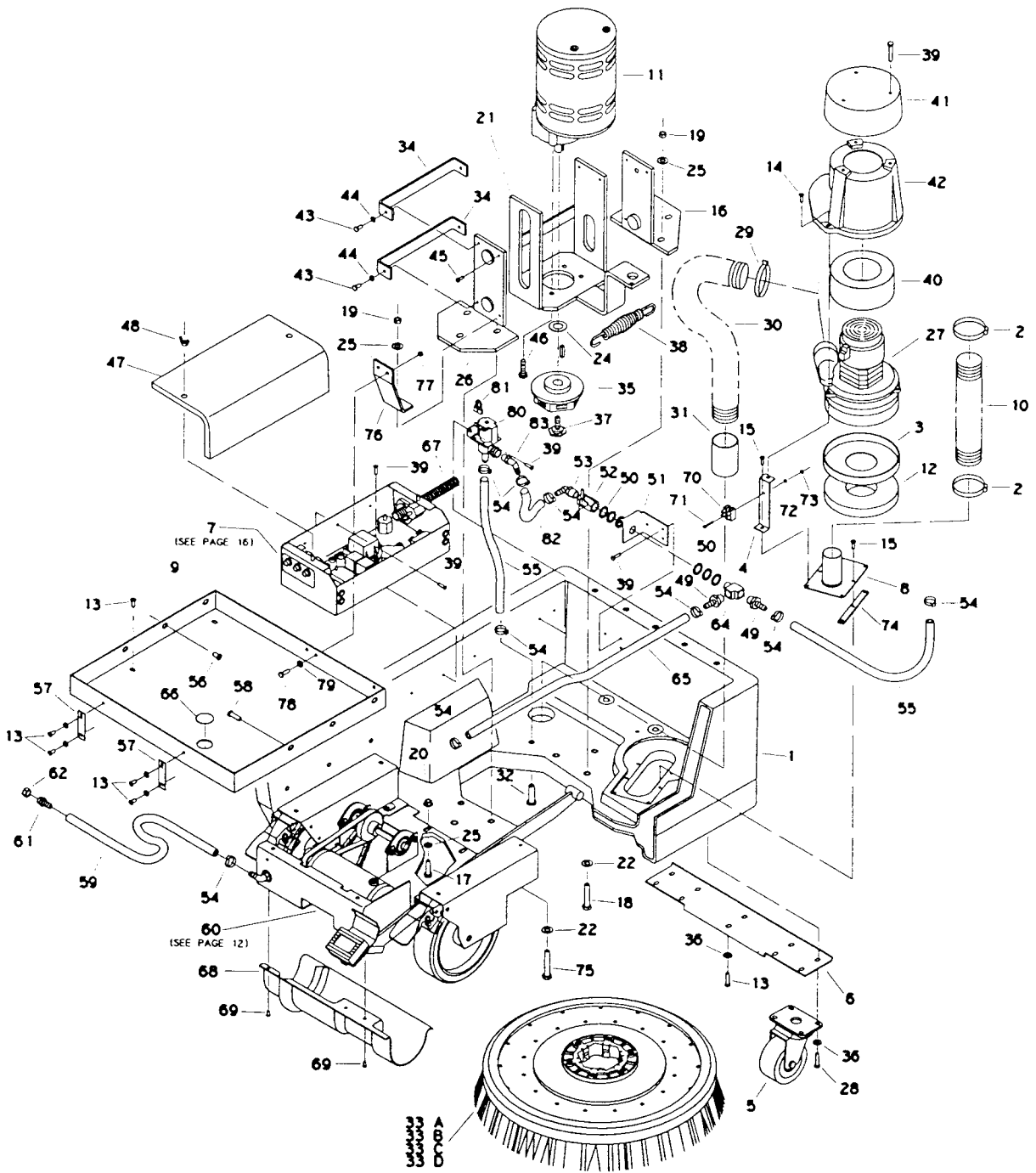
Revised 1/96

**Minuteman<sup>®</sup>**



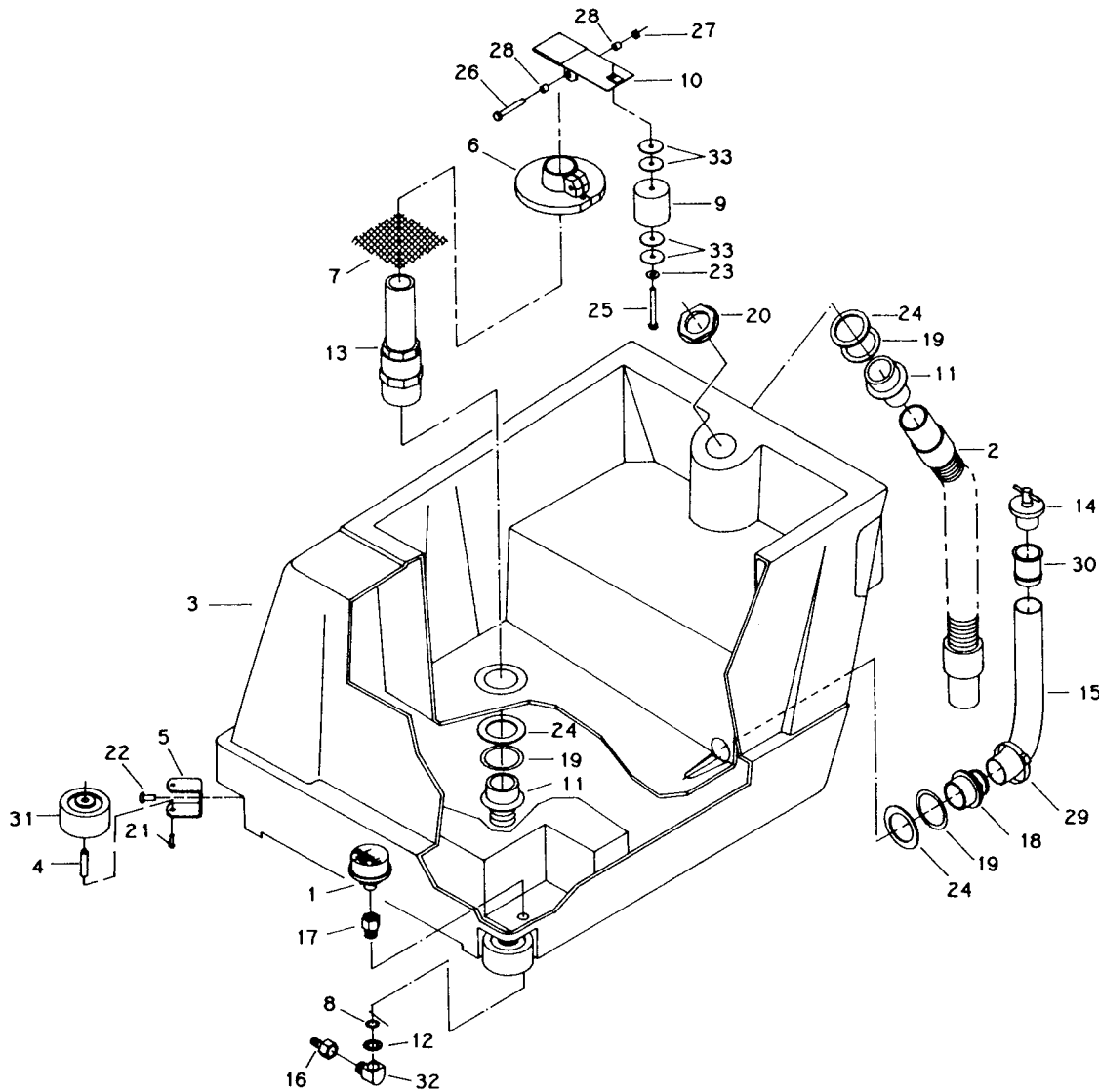
# Parts List

Item	Part No.	Qty.	Description
1	210002	1	Lid Assembly Recovery
2	210450	1	Tank Assembly Complete
3	210451	1	Base Assembly Complete
4	210004	1	Recovery Dome
5	210006	2	Lid Gasket
6	210007	2	Lid Gasket
7	710178	10	SCR-MC 1/4-20 x .50 STPL
8	711106	25	SCR-ST-A 10 x .75 PL
9	430044MCH	2	Hinge Lid 20"
10	712540	4	SCR-MC 10-24 x .37 SS TH
11	712536	6	SCR-MC 10-24 x .62 SS TH
12	210005	1	Dome Gasket
13	260087	1	Hinge
14	450066	1	Solution Tank Cover
15	210055	1	Side Skirt Retainer
16	210052	1	Splash Skirt
17	210056	1	Skirt Retainer Front
18	210053	1	Skirt at Access Panel
19	210057	1	Skirt Retainer at Access Panel
20	210058	1	Skirt Retainer at Wheel
21	210054	1	Skirt at Wheel
22	210059	1	Access Panel
23	833214	1	Knob 3-Sided
24	450062	1	Cord, Nylon
25	210061	1	Pocket Pull
26	430126	2	Hinge Backing Plate
27	715089	1	Decal "200"
28	715060	1	Decal "Minuteman"
29	712822	5	#10-24 x .50 Lg. Screw
30	712900	5	Nut-Hex 10-24 STPL
31	210063	1	Access Panel Hanger
32	210027	2	Magnetic Catch
33	833436	1	Tilt Cable
34	712042	1	5/16-18 x .62 Wizz Bolt HH
35	711553	5	WSR-Internal Lock #10
36	712540	6	SCR-MC 10-24 x .37 SS TR
37	715614	1	Decal Speed Control
38	809874	1	Knob
39	740368	1	Potentiometer Assembly



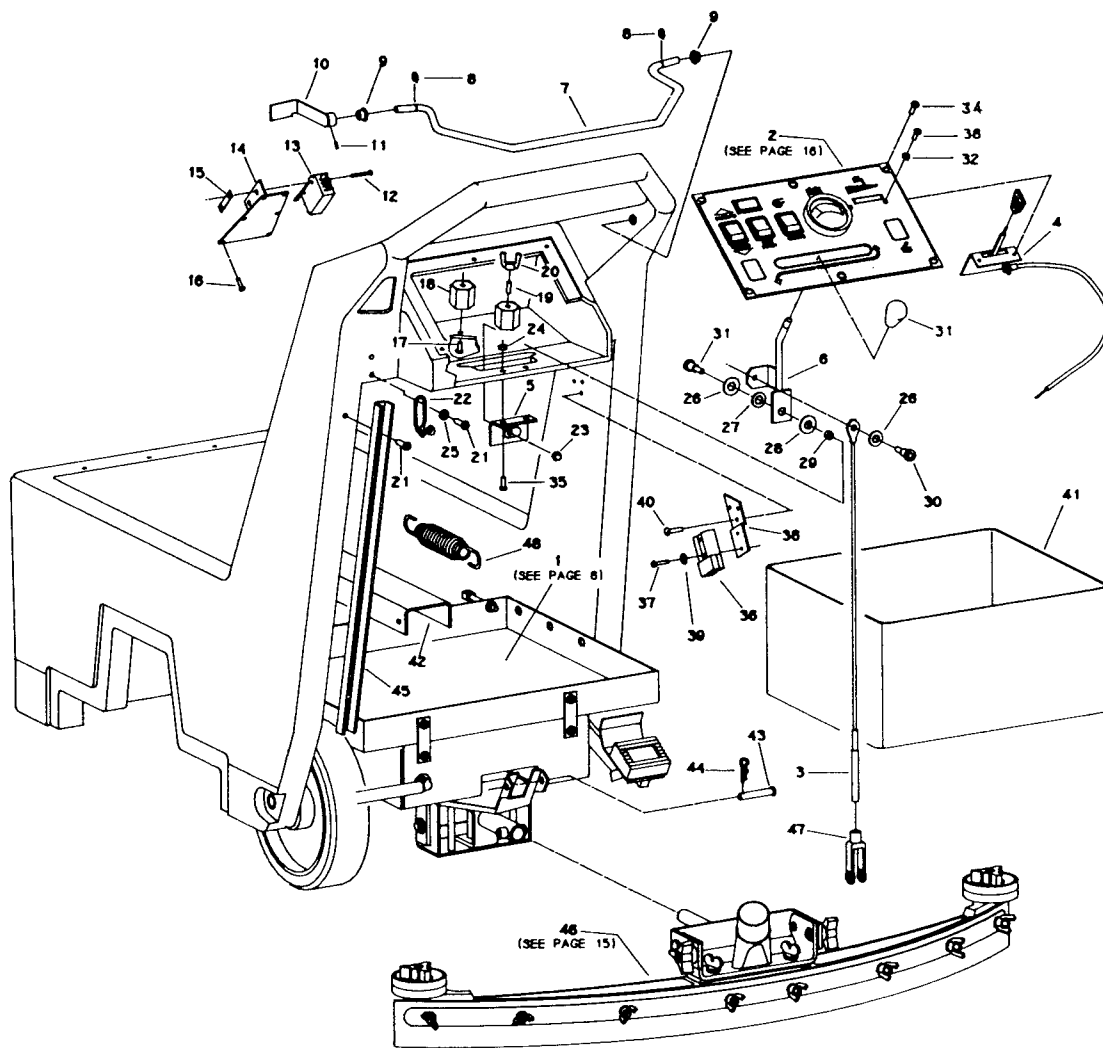
# Parts List

Item	Part No.	Qty.	Description
1	210119	1	Base, Plastic Machined
2	260203	2	Hose Clamp Wire Grip
3	290017	1	Gasket 4.31 x 5.81 x .19
4	450038-H	3	Z-Bracket
5	762333	2	Caster 3.5"
6	210010	1	Caster Mounting Bracket
7	210456	1	Electrical Panel Assembly
8	430069	1	Vacuum Manifold Assembly
9	210398	1	Battery Tray
10	210074	1	Vacuum Hose 1.5 x 31 C/L
11	740209	1	Gearmotor 24V
12	460019	1	Gasket 3.75 X 5.75 x .75
13	710178	8	SCR-MC 1/4-20 x .50 STPL
14	710182	3	SCR-MC 1/4-20 x 1.00
15	711106	9	SCR-ST-A 10 x .75 PL
16	210040	1	Motor Bracket Weldment
17	711231	4	BLT-HH 5/16 - 18 x 1.25 STPL
18	711243	5	BLT-HH 3/8-167 x 1.5 STPL
19	711380	8	Nut-Nyloc3/8-16
20	711374	3	Nut-Nyloc 5/16-18
21	210389	1	Motor Mount Weldment
22	711506	4	WSR-Flat 5/16 STPL
23	711509	6	WSR-Flat 1/2 STPL
24	711517	1	WSR-Flat .77 x 1.37 x .03
25	711515	6	WSR-Flat .44 x .87 x .07
26	210397	1	Motor Bracket Weldment
27	740225	1	Vac Motor 3ST24V 6515-13
28	710180	8	SCR-MC 1/4-20 x .75
29	760859	1	Hose Clamp
30	210075	1	Hose Rubber Flex 2 x 15"
31	801013	1	Sleeve, Hose
32	832136	1	Nylon Sleeve Solution Feed
33A	381041	1	Strata-Grit Brush
33B	381040	1	Polygrit Brush
33C	381039	1	Nylon Brush Assembly Complete
33D	381038	1	Pad Driver
34	430106	2	Stabilizer Bar
35	430035	1	Drive Hub
36	711505	10	WSR-Flat 1/4
37	210066	1	Drive Hub Retainer Bolt
38	260211	1	Extension Spring
39	711106	11	SCR-ST-A 10 x .75
40	380064	1	Foam Ring
41	840011	1	Vac Motor Cover, Top
42	840012	1	Vac Motor Cover, Bottom
43	711202	4	BLT-HH 1/4-20 x .50
44	711535	4	WSR-Helical 1/4
45	710823	2	SCR-SC 1/4-20 x .50 Nylon
46	710986	4	SCR-SC 3/8-16 x 1.00
47	210402	1	Electrical Box Cover
48	711368	2	Wing Nut 1/4-20
49	342430	2	Hose BARB 3/8 MPT x 3/8 BARB
50	711579	6	WSR-Flat .56 x .1.00
51	210370	1	Solution Valve Bracket
52	809413	1	Solution Valve
53	450040	1	Elbow 3/8 MPT x 3/8 BARB
54	450076	9	Crimp Clamp SS 185R
55	210401	2	Solution Hose Nylon 12"
56	710195	5	SCR-MC 5/16-18 x .50
57	210399	2	Mounting Tab
58	710197	1	SCR-MC 5/16-18 x .75
59	430118	1	Clear Dump Hose 24"
60	210453	1	Traction Drive Assembly
61	828952	1	3/8 BARB x 1/4 MPT
62	430114	1	Nylon Cap 1/4 FPT HC4
64	210408	1	3/8 Brass Tee
65	210403	1	Hose Nylobraid 45"
66	715615	1	Stick-On Cover
67	740550	1	Wire Harness
68	210411	1	Cover, Differential
69	711124	6	SCR-ST-B 10 x .38
70	832996	1	Terminal Block
71	710306	1	SCR-MC 6-32 x .87
72	711542	1	WSR-Helical 6
73	711301	1	Nut-Hex 6-32
74	250041	1	Seal Rubber .12 x .62 x 14.5
75	711244	1	BLT-HH 3/8-16 x 1.75
76	210098	1	Reinforcing Bracket
77	711373	2	Nut-Nyloc 1/4-20
78	711204	2	BLT-HH 1/4-20 x .75
80	740493	1	Water Valve 24 VDC
81	740482	1	Diode Assembly
82	210419	1	Solution Hose
83	833325	1	Elbow 1/4 MPT x 3/8 BARB



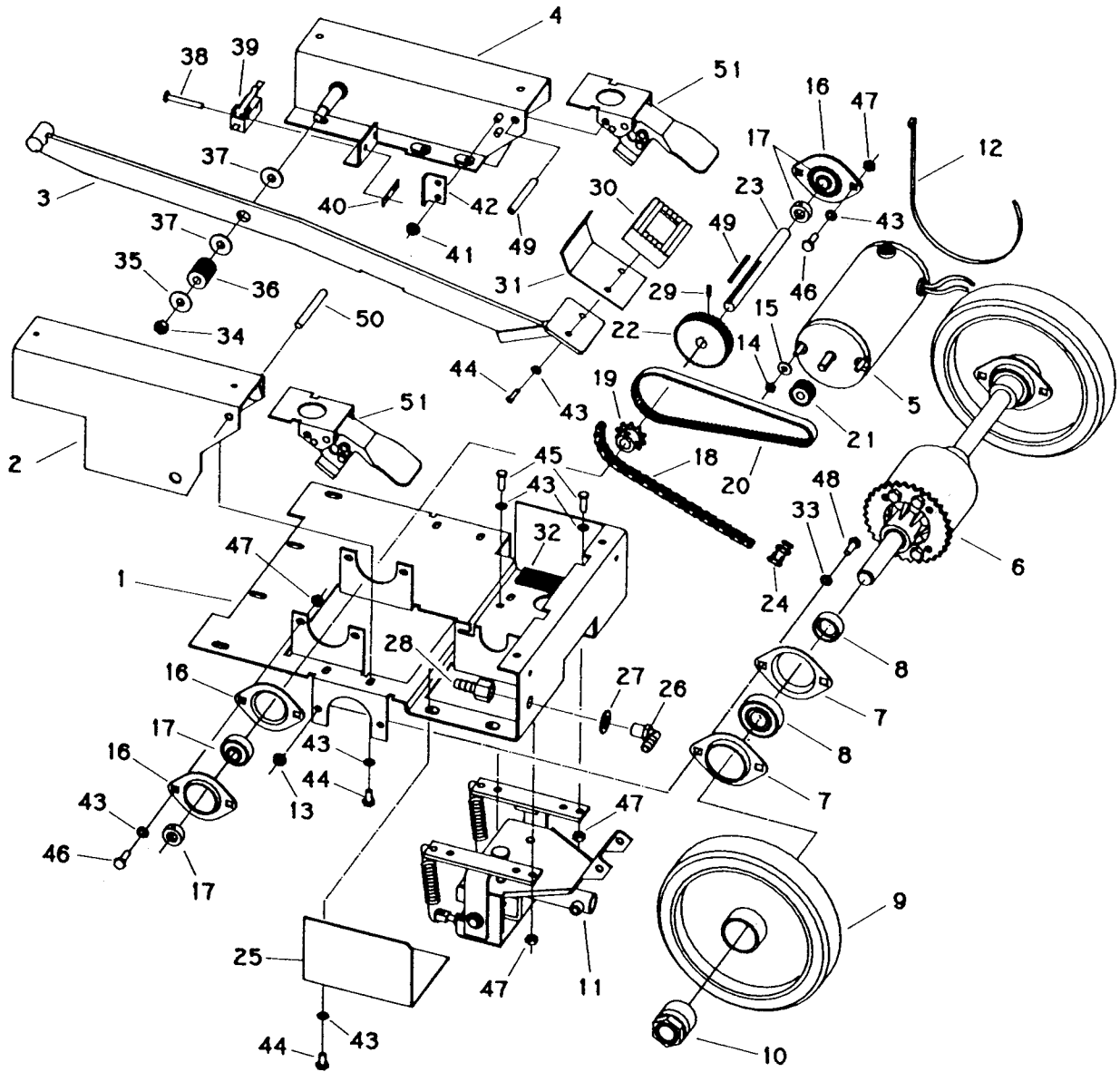
## Parts List

Item	Part No.	Qty.	Description	Item	Part No.	Qty.	Description
1	130118	1	Solution Strainer M3-40	18	760220MCH	1	1 1/2 Adapter MCH (833310)
2	210068	1	Vac Recover Hose 34.5 C/L	19	450081	3	WSR SS 1.908 x 2.41 x .03
3	210120	1	Sol/Recovery Tank	20	828971	1	Nut 1 1/2 Pipe Thread
4	833254	2	Bumper Wheel Axle	21	710353	2	SCR-MC 10-32 x .37 STPL
5	832949	2	U Bracket Wheel Mount	22	710985	2	SCR-SC 3/8-16 x .62
6	430041	1	Float Housing	23	711504	1	WSR-Flat 1/4 ID SS
7	430050	1	Filter Screen 4x4	24	828970	3	WSR NEOP 1.81 x 2.37 x .9
8	210414	1	O-Ring	25	712092	1	SCR Nylon 1/4-20 x 2.5
9	430089	1	Float	26	712568	1	SCR-MC 1/4-20 x 2.00 SS
10	430090	1	Float Valve Weldment	27	712667	1	Nut-Hex 1/4-20 SS Nyloc
11	450083	2	Hose Adapter	28	762384	2	Bushing .277 x .375 x .37
12	711513	1	WSR-Flat .69 x 1.06 x .03 SS	29	760245	1	Hose Clamp 62P24
13	210009	1	Standpipe Assembly	30	760343	1	Tube Hose 24/32B
14	833316	1	Drain Plug 1 1/4	31	832896	2	Guide Wheel
15	210069	1	Black Drain Hose 32\"/>				



## Parts List

Item	Part No.	Qty.	Description	Item	Part No.	Qty.	Description
1	210451	1	Base Assembly Complete	25	711503	2	WSR-Flat 10
2	210457	1	Dashboard Assembly	26	711506	2	WSR-Flat 5/16 STPL
3	210406	1	Squeegee Lift Cable	27	711523	1	WSR-Wave .37 x .68 x .02
4	210045	1	Solution Control Cable	28	829014	1	Flanged Bushing
5	430059	1	Squeegee Lift Bracket Assembly	29	762058	1	Spacer .319 x .375 x .250
6	430060	1	Squeegee Lift Arm Assembly	30	712041	2	BLT-SDER 1/4-20 x .44 x .37
7	210363	1	Wire Handle	31	760592	1	Knob Oval Tapered
8	711721	2	Retaining Ring	32	712320	2	WSR-Nylon .22 x .45 x .04
9	829052	2	Nylon Flanged Bushing	33	711124	2	SCR-ST-B 10 x .37 NI
10	210367	1	Cam Assembly	34	712822	6	SCR-THMS 10-24 x .50 STPL
11	<del>711001</del> 711002	1	SCR-SK 8-32 x .50	35	710180	2	SCR-MC 1/4-20 x .75 STPL
12	710307	2	SCR-MC 6-32 x 1.00	36	740159	1	SB175 Plug Red
13	833329	1	Micro Switch	37	710383	2	SCR-MC 1/4-20 x 1.25
14	210362	1	Switch Bracket	38	210072	1	Anderson Plg. Bracket
15	711430	1	Tinnerman Clip	39	711554	2	WSR-Internal Lock 1/4 ID
16	711161	6	SCR-Hi/Lo 10 x 5/8	40	830504	3	SCR 1/4 -14 x .75 PAN
17	710178	2	SCR-MC 1/4-20 x .50 STPL	41	210048	1	Battery Liner
18	740132	2	Insulator (Glastic)	42	210064	1	Battery Spacer
19	833638	2	Brass Stud	43	210415	1	Clevis Pin .312 x 1.69
20	711368	2	Wing Nut 1/4-20, Nyloc	44	711808	1	Cotter Pin
21	711161	4	SCR HI/LO 10 x 3/4 PL	45	430120	1	U-Channel
22	760286	1	Wire Formed Hook	46	210452	1	Squeegee Assembly Complete
23	711352	1	Nut-Acom 1/4-20 ST N1	47	881009	1	Yoke
24	711425	4	Nut-Flanged Wizz 1/4-20	48	260211	1	Extension Spring

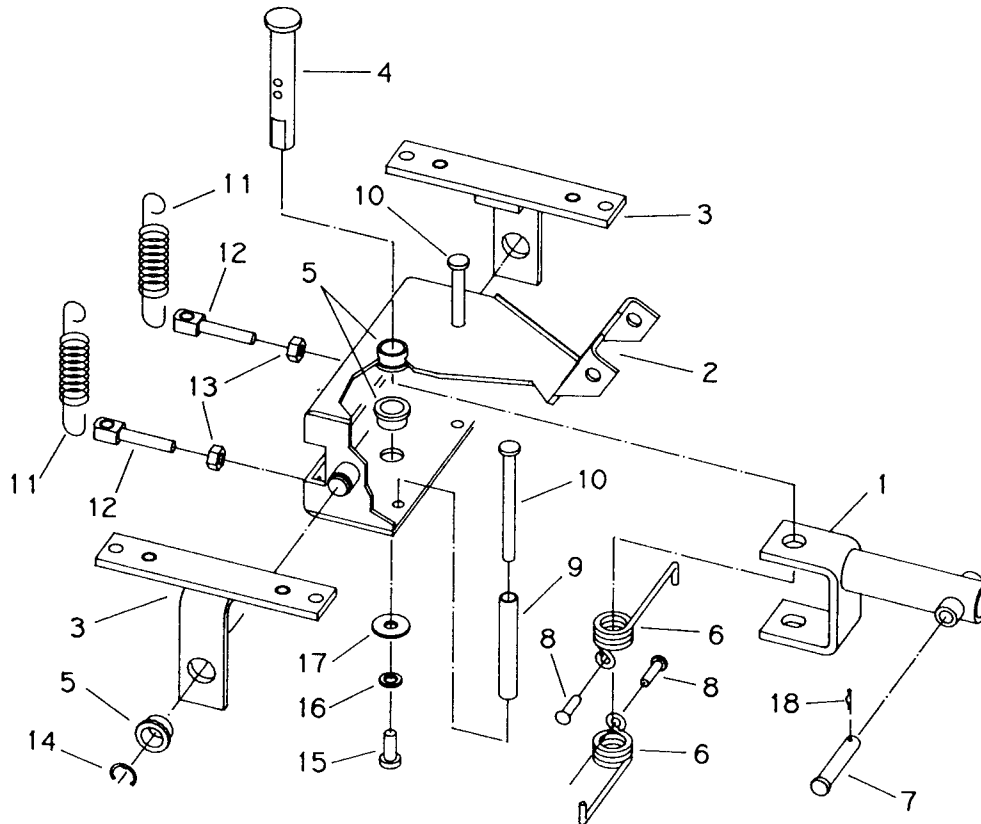




# Traction Drive Assembly Parts List

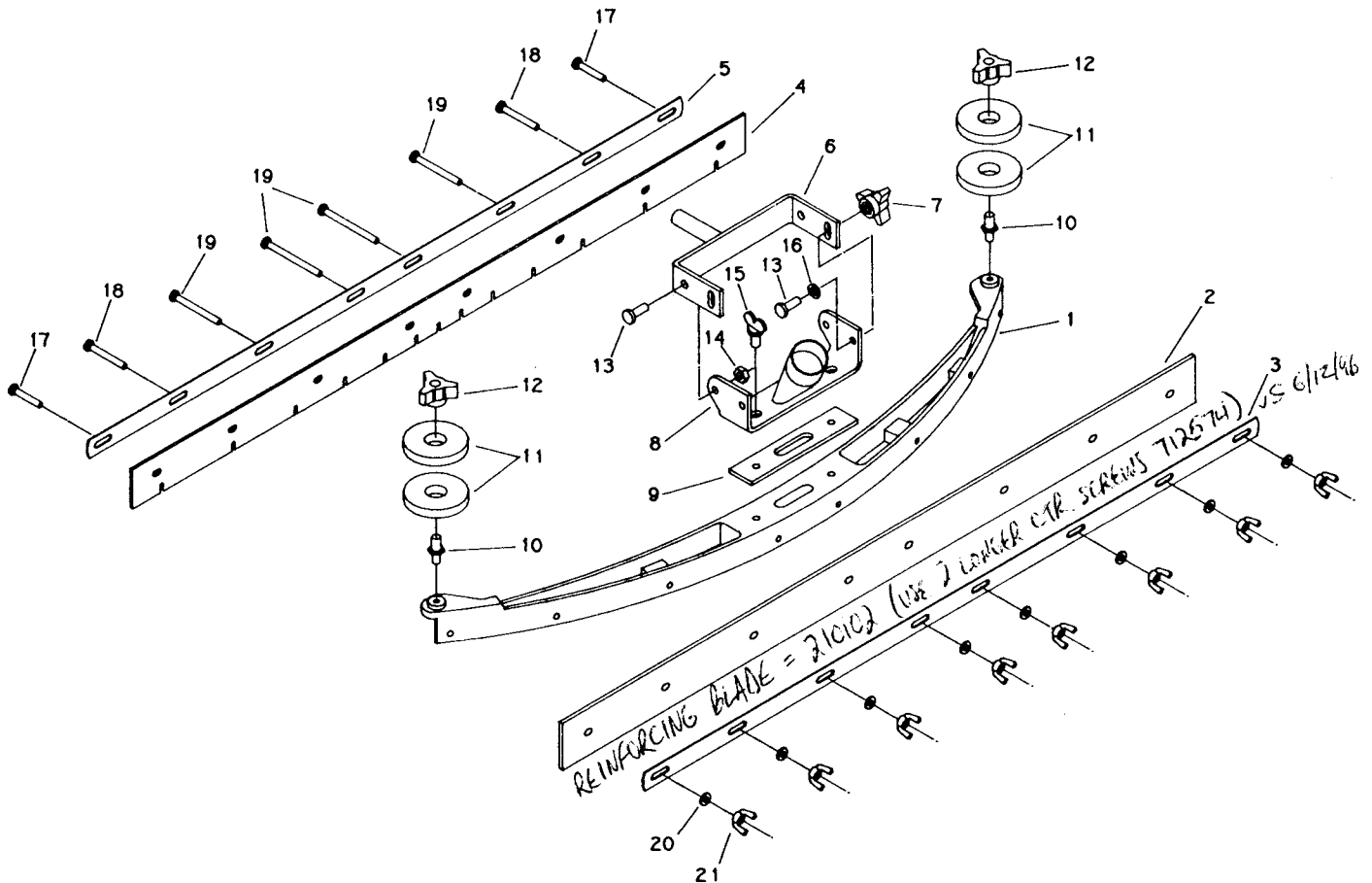
Item	Part No.	Qty.	Description
1	210350	1	Platform Drive Train
2	210386	1	Wheel Mount Strut LH
3	210039	1	Lift Lever Weldment
4	210385	1	Wheel Mount Strut RH
5	740484	1	Traction Motor Assembly
6	210407	1	Differential
7	340742	4	Flangette
8	881059	2	Bearing 3/4 Bore w/Collar
9	833305	2	Wheel 8 Dia.
10	833304	2	Trantorque Hub
11	210455	1	Squeegee Mechanism Assembly
12	760245	2	Clamp
13	711374	4	Nut-Nyloc 5/16-18
14	712908	2	Nut-Flanged Wizz 10-24
15	711503	2	WSR-Flat #10
16	210364	4	Flangette 1/2
17	210365	2	Bearing 1/2 Bore w/Collar
18	210395	1	Chain #35
19	210366	1	Chain Sprocket
20	210412	1	Timing Belt
21	833357	1	Pulley 5MM 20 Tooth
22	210380	1	Pulley 5MM 40 Tooth
23	210388	1	Pulley Shaft
24	833292	1	Master Link #35 Chain
25	210384	1	End Cover
26	833325	1	Elbow 1/4 MPT x 3/8 BARB
27	711579	1	WSR-Flat .56 x 1.00
28	833473	1	3/8 BARB x 1/4 FPT
29	711018	2	SCR-SK 10-32 x .37
30	762294MCH	1	Pedal
31	210076	1	Foot Guard
32	210383	1	Spacer Gasket
33	711545	4	WSR-Helical 5/16
34	711380	1	Nut-Nyloc 3/8-16
35	711509	1	WSR-Flat 1/2
36	210047	1	Die Spring
37	210033	2	Oilite Washer
38	710307	2	SCR-MC 6-32 x 1.00
39	740129	1	Switch
40	711430	1	Tinnerman Clip
41	711373	2	Nut-Nyloc 1/4-20
42	210387	1	Pedal Stop
43	711535	16	WSR-Helical 1/4
44	711202	8	BLT-HH 1/4-20 x .50
45	710180	4	SCR-MC 1/4-20 x .75
46	711203	4	BLT-HH 1/4-20 x .63
47	711425	6	Nut-Flanged Wizz 1/4-20
48	711228	4	BLT-HH 5/16-18 x .75
49	210416	1	Key .125 x .125 x 2.0
*50	711048	2	SCR-SK 5/16 - 18 x 3.00
*51	90-22126-8	2	Parking Brake

\* Optional Items



## Parts List

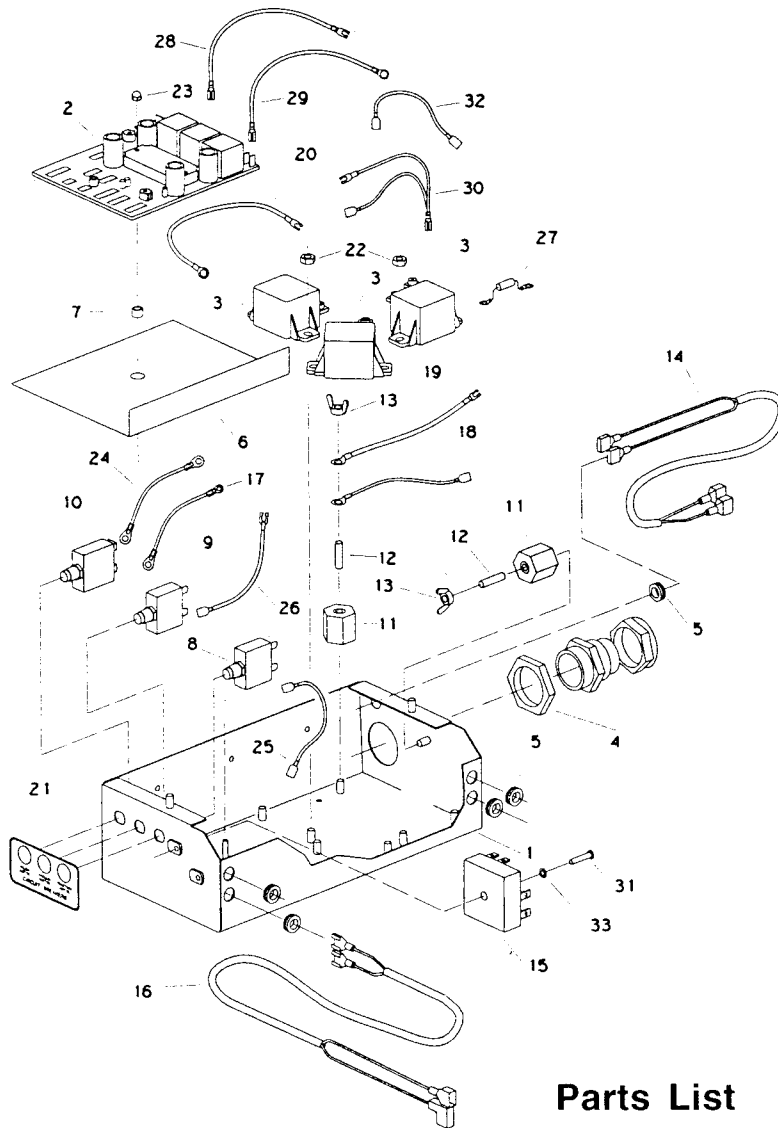
Item	Part No.	Qty.	Description
1	210379	1	Yoke Weldment
2	210372	1	Spring Housing Weldment
3	210392	2	Pivot Bracket Weldment
4	210375	1	Swivel Pin
5	260041	4	1/2 Oilite Bushing
6	210391	2	Torsion Spring SS
7	210415	1	Clevis Pin
8	712811	2	SCR-MC 1/4-24 x .50
9	210400	2	Spacer Tube
10	710592	2	SCR-MC 1/4-20 x 2.75
11	210413	2	Return Spring
12	260292	2	Swing Bolt
13	711316	2	Nut-Hex 1/4-20
14	711713	2	1/2 Retaining Ring
15	710180	1	SCR-MC 1/4-20 x .75
16	711535	1	WSR-Helical 1/4
17	711519	1	WSR-Flat .25 x 1.00 x .06
18	711808	1	Cotter Pin



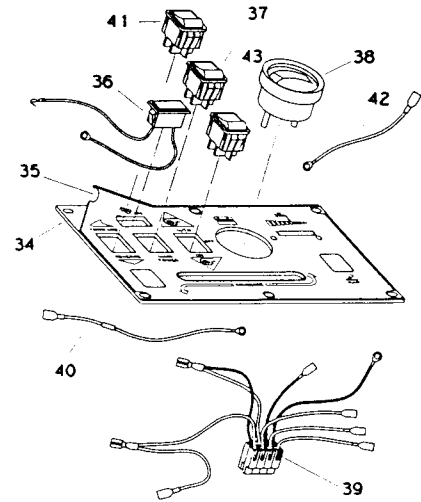
### Parts List

Item	Part No.	Qty.	Description
1	210351MCH	1	Squeegee Casting
2	210352	1	Rear Squeegee Blade
3	210353	1	Rear Squeegee Strap
4	210354	1	Front Squeegee Blade
5	210355	1	Front Squeegee Strap
6	210381	1	Pitch Control Bracket
7	210118	2	Knob 3-Sided 5/16 Nyloc
8	210357	1	Tube Bracket
9	210390	1	Squeegee Gasket
10	430075	2	Threaded Insert
11	430085	4	Squeegee Bumper Wheel
12	430074	2	Adjusting Nut
13	710975	4	SCR-SC 5/16-18 x .87 BH
14	711374	2	Nut-Nyloc 5/16-18
15	260267	2	Wing Bolt 3/8-16 x .75
16	711545	2	WSR-Helical 5/16
17	712571	2	Bolt-SS CARR 1/4-20 x 1.50
18	712572	2	Bolt-SS CARR 1/4-20 x 2.00
19	712573	4	Bolt-SS CARR 1/4-20 x 2.50
20	711504	8	WSR-Flat .25 cx .56 SS
21	712668	8	Wing Nut 1/4-20 SS

# ELECTRICAL PANEL ASSEMBLY



# DASHBOARD ASSEMBLY



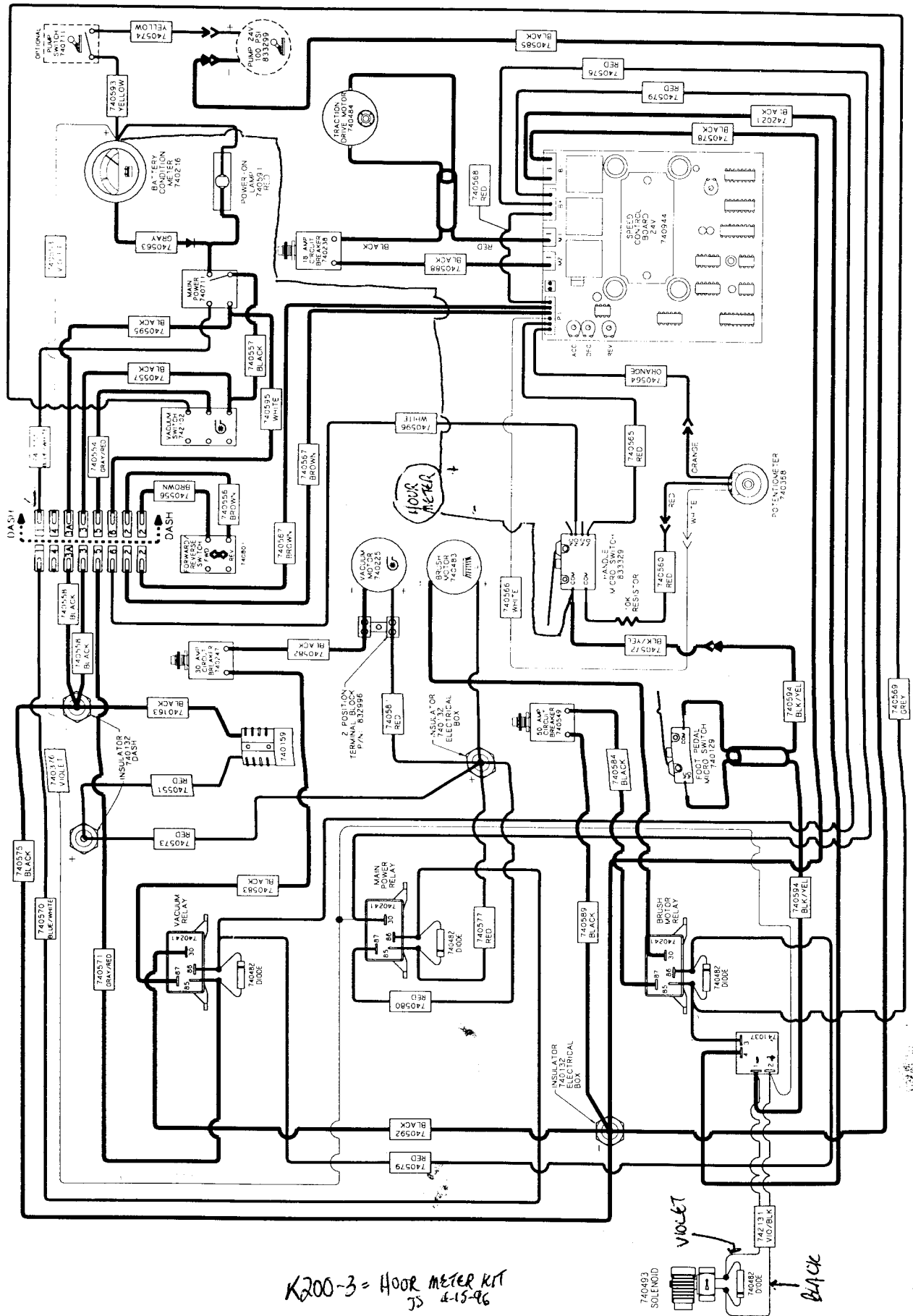
## Parts List

Item	Part No.	Qty.	Description	Item	Part No.	Qty.	Description
1	210404	1	Electrical Box	23	711372	2	Nut-Nyloc 8-32
2	740944	1	SCR Control Board 24V	24	740589	1	Black 8 GA Wire Assembly
3	740241	3	Contactors 24V 50 amp	25	740588	1	Black 14 GA Wire Assembly
4	210405	1	Heyco Liquid Tight Fitting	26	740583	1	Black 14 GA Wire Assembly
5	101008	5	Rubber Grommet	27	740482	3	Diode Assembly
6	805637	1	Fiber Insulator	28	740576	1	Red 10 GA Wire Assembly
7	762073	2	Spacer Bushing	29	740578	1	Black 10 GA Wire Assembly
8	740299, 38	1	Circuit Breaker 18 amp	30	740579	1	Red 14 GA Wire Assembly
9	740247	1	Circuit Breaker 30 amp	31	712814	1	SCR-MC 10-24 x .87
10	740549	1	Circuit Breaker 50 amp	32	742021	1	Black 16 GA Wire Assembly
11	740132	2	Insulator	33	711553	1	WSR-Internal Lock #10
12	833638	2	Brass Stud	34	210376	1	Dashboard 200TD
13	711368	2	Wing Nut 1/4-20	35	715716	1	Decal
14	742131	1	Solenoid Wire Harness	36	740591	1	Panel Light Assembly
15	741037	1	5 Sec. Delay Timer	37	740711	2	Switch
16	740594	1	Black/Yellow 14 Gauge Wire Assembly	38	740216	1	Gauge Battery Condition
17	740584	1	Black 8 GA Wire Assembly	39	740590	1	Dashboard Wiring Harness
18	740577	1	Red 14 GA Wire Assembly	40	740563	1	Gray/Diode Wire Assembly
19	740580	1	Red 10 GA Wire Assembly	41	740801	1	Switch Rocker
20	740592	1	Black 10 GA Wire Assembly	42	740593	1	Yellow Wire Assembly
21	715613	1	Decal Circuit Breakers	43	742102	1	Switch 2 Position
22	711316	6	Nut-Hex 1/4-20				

740598 = 24K RESISTOR ASSY.

JS 6/12/96

# WIRING DIAGRAM



K200-3 = HOUR METER KIT JS 4-15-96

